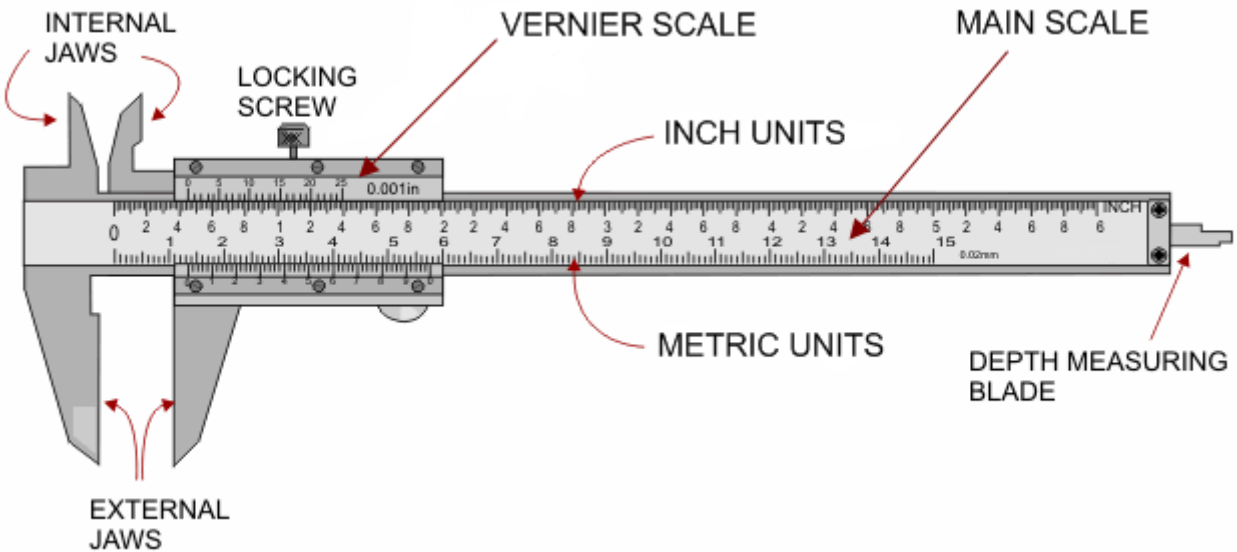


Reading a Vernier Caliper – Metric Units



- Step 1 Read the main metric scale. In the example below the main metric scale shows that there are 7 whole divisions before the 0 line on the vernier Scale. Therefore, the first number is 7mm.
- Step 2 Read the vernier scale. The vernier scale reads hundredths of a mm. On the vernier scale, find the first line that lines up with any line on the main scale. This is shown by the arrow in the example below. This is 15.
- Step 3 Each division on the hundredths scale is equivalent to 0.02mm. Multiply the reading on the vernier scale by 0.02
 $15 \times .02 = .30$
- Step 4 Add the two measurements together
 $7 + .30 = 7.30$

Main Scale mm	7
Vernier Scale 1/100mm Multiply by 0.02 (Each division on the vernier scale = .02mm)	$15 \times .02 = 0.30$
Total Measurement	7.30mm

Example

